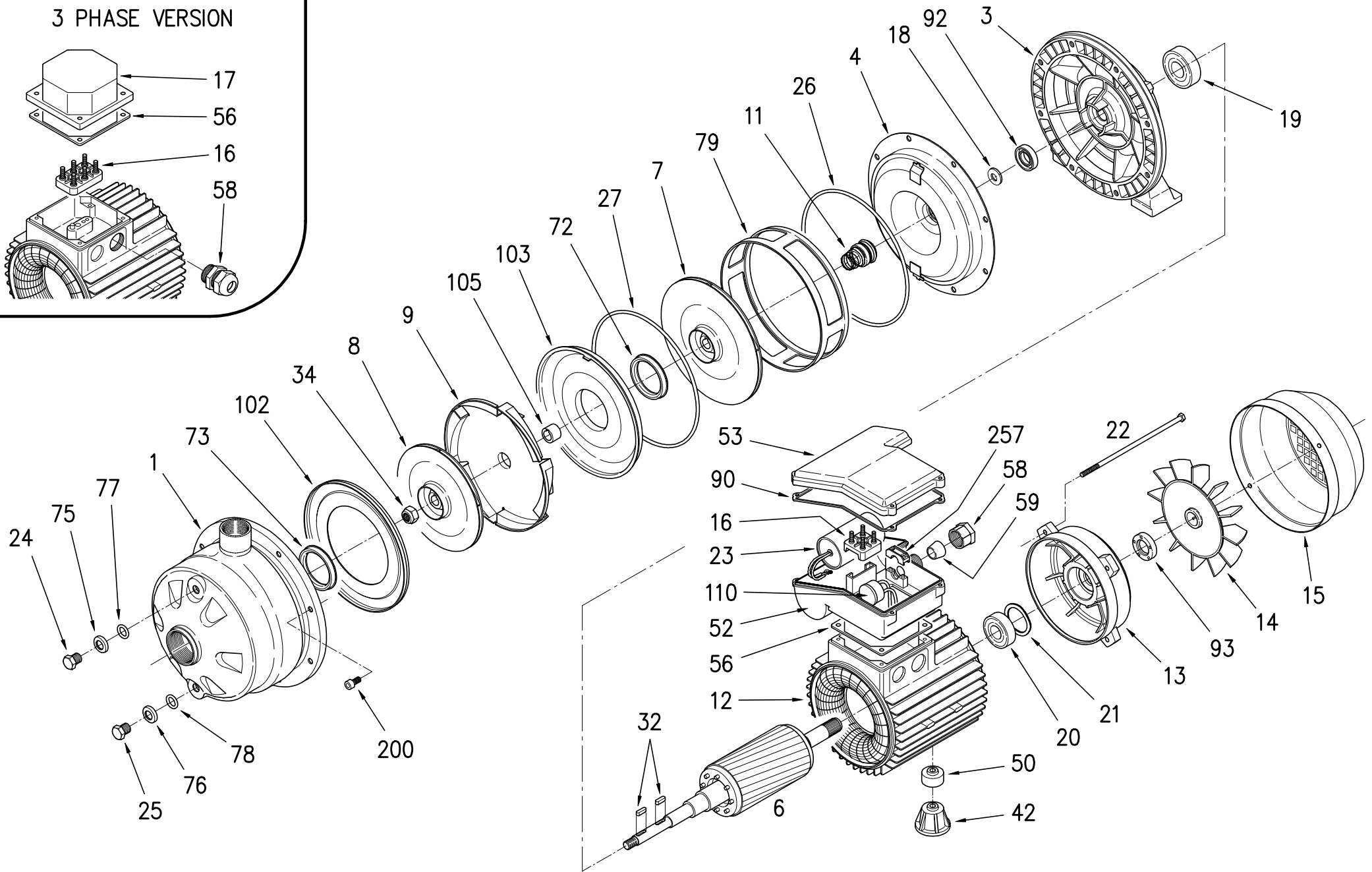
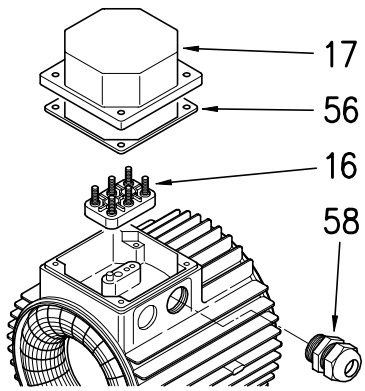


3 PHASE VERSION



A	AGGIUNTO POSIZIONE 18						12.03.03
REV.	DESCRIZIONE DELLA MODIFICA	N° MOD.	DIS.	CONTR.	R&D	NORM.	DATA



DIS. ROSA
NORM.
DATA 10.10.2001

DESCRIZIONE
2CDX

N° DISEGNO
01320
REV. A

Pezzi di ricambio
elettropompe

Spare parts
pumps

2CDXM 1~ 50Hz

Dwg n° 01320

Pos.	Denominazione	Part name	2CDXM/A 70/10	2CDXM/A 70/12	2CDXM/B 70/15	2CDXM/B 70/20	2CDXM/B 120/15	Data di creaz./ First release	
			1611100000	1611120000	1611150000B	1611200000B	1621150000B		
001	CORPO POMPA	Casing	251420688		251420692		251420694	May 2002 Rev. A12/03/03 Rev. B/28/11/03 Rev. C/19/01/05	
003	SUPPORTO MOTORE	Motor bracket	240280545		240280563		240280546		
004	DISCO P/TENUTA	Casing cover	251402069		251402065		251402069		
006	ALBERO ROTORE	Shaft with rotor	275412189	275412190	275312232	276312700	275312232		
007	GIRANTE	Impeller	251450000		251450721		251450003		
008	GIRANTE	Impeller	251450720		251450721	251450002	251450003		
009	DIFFUSORE	Diffuser	251435024		251435026		251435024		
011-K	TENUTA PARTE FISSA	Mechanical seal fixed	364500006						
011-K	TENUTA PARTE ROTANTE	Mechanical seal rolling	364500006						
012	CASSA	Motor frame	277930174	277930173	277930015	277930234	277930015		
013	COPERCHIO MOTORE	Motor cover	230225071		230225072	230225089	230225072		
014	VENTOLA	Fan	369950002		369950008				
015	COPRIVENTOLA	Fan cover	362250071		362250080				
016	MORSETTIERA	Terminal box	365940253		365940254				
018-K	RONDELLA PARASPRUZZI	Splash ring	364500006						
019	CUSCINETTO	Bearing	360306203		360306204				
020	CUSCINETTO	Bearing	360306202		360306203				
021	ANELLO COMPENSATORE	Adjusting ring	360600035		360600040				
022	TIRANTE	Tie rod	369305135 (4)		369305148 (4)	369305161 (4)	369305148 (4)		
023	CONDENSATORE	Capacitor	361402200	361402315	361401350	361401400	361401350		
024	TAPPO	Priming plug	375192107						
025	TAPPO	Drain plug	375192107						
026-K	ANELLO OR	"O" ring	364500006						
027-K	ANELLO OR	"O" ring	364500006						
032-K	LINGUETTA	Key	364500006						
034-K	DADO GIRANTE	Impeller nut	364500006						

2CDX	70/10-70/12-70/15-70/20-200/30-200/40-200/50	K	CAR/CER/VITON H VERSION CODE NUMB.364500007
	70/10-70/12-70/15-70/20-200/30-200/40-200/50		SIC/SIC/VITON HS VERSION CODE NUMB.364500009
	120/15-120/20-120/30-120/40		CAR/CER/VITON H VERSION CODE NUMB.364500008
	120/15-120/20-120/30-120/40		SIC/SIC/VITON HS VERSION CODE NUMB.364500010

K=kit

(n)= Quantità per pompa / Quantity for pump



EBARA PUMPS EUROPE S.p.A.

1/10

Pezzi di ricambio
elettropompe

Spare parts
pumps

2CDXM 1~ 50Hz

Dwg n° 01320

Pos.	Denominazione	Part name	2CDXM/A 70/10	2CDXM/A 70/12	2CDXM/B 70/15	2CDXM/B 70/20	2CDXM/B 120/15
			1611100000	1611120000	1611150000B	1611200000B	1621150000B
042	PIEDINO	Foot	371415013		371415015		
050	DISTANZIALE	Spacer	371415018	
052	SCATOLA P/COND.	Terminal box	363200550	363200202	363200201		
053	COPERCHIO SCATOLA	Terminal cover	363201104	363201101			
056	GUARNIZIONE	Box gasket	364700810			364700811	
058	PRESSACAVO	Cable entry	363201200	363201201			
059	GUARNIZIONE CONICA	Conic gasket	363201300	363201301			
072-K	ANELLO RASAMENTO	Casing ring	364500006				
073-K	ANELLO RASAMENTO	Casing ring	364500006				
075	RONDELLA TAPPO	Washer	367667000				
076	RONDELLA TAPPO	Washer	367667000				
077-K	ANELLO OR	"O" ring	364500006				
078-K	ANELLO OR	"O" ring	364500006				
079	DISTANZIALE DIFFUSORE	Spacer diffuser	251434026		251434028	251434026	
090	GUARNIZIONE	Box gasket	364701515	364701520			
092	ANELLO TEN. LATO POMP.	Lip seal	360991522				
093	ANELLO TEN. LATO VENT.	Lip seal	360991522		360991529		
102	COPERCHIO DIFF.	Suction cover	251424008		251424012	251424008	
103	COPERCHIO CONVOGLIAT	Conveyor cover	251402068		251402089	251402066	
105	DISTANZ.GIRANTE	Sleeve	374434027				
110	MOTOPROTETTORE	Protector	369450503	369450506	369450503
200	VITE	Screw	369600023 (8)		369641003 (8)		369600023 (8)
257	FERMACAVO	Wire clamp	366550011		366550012		

Data di creaz./
First release
May 2002
Rev. **A12/03/03**
Rev. **B/28/11/03**

2CDX	70/10-70/12-70/15-70/20-200/30-200/40-200/50	K	CAR/CER/VITON H VERSION CODE NUMB.364500007
	70/10-70/12-70/15-70/20-200/30-200/40-200/50		SIC/SIC/VITON HS VERSION CODE NUMB.364500009
	120/15-120/20-120/30-120/40		CAR/CER/VITON H VERSION CODE NUMB.364500008
	120/15-120/20-120/30-120/40		SIC/SIC/VITON HS VERSION CODE NUMB.364500010

K=kit

(n)= Quantità per pompa / Quantity for pump



2/10

EBARA PUMPS EUROPE S.p.A.

Pos.	Denominazione	Part name	2CDXM/B 120/20			
			162120000B			
001	CORPO POMPA	Casing	251420694			
003	SUPPORTO MOTORE	Motor bracket	240280546			
004	DISCO P/TENUTA	Casing cover	251402069			
006	ALBERO ROTORE	Shaft with rotor	276312700			
007	GIRANTE	Impeller	251450004			
008	GIRANTE	Impeller	251450003			
009	DIFFUSORE	Diffuser	251435024			
011-K	TENUTA PARTE FISSA	Mechanical seal fixed	364500006			
011-K	TENUTA PARTE ROTANTE	Mechanical seal rolling	364500006			
012	CASSA	Motor frame	277930234			
013	COPERCHIO MOTORE	Motor cover	230225089			
014	VENTOLA	Fan	369950008			
015	COPRIVENTOLA	Fan cover	362250080			
016	MORSETTIERA	Terminal box	365940254			
018-K	RONDELLA PARASPRUZZI	Splash ring	364500004			
019	CUSCINETTO	Bearing	360306204			
020	CUSCINETTO	Bearing	360306203			
021	ANELLO COMPENSATORE	Adjusting ring	360600040			
022	TIRANTE	Tie rod	369305161 (4)			
023	CONDENSATORE	Capacitor	361401400			
024	TAPPO	Priming plug	375192107			
025	TAPPO	Drain plug	375192107			
026-K	ANELLO OR	"O" ring	364500006			
027-K	ANELLO OR	"O" ring	364500006			
032-K	LINGUETTA	Key	364500006			
034-K	DADO GIRANTE	Impeller nut	364500006			

Data di creaz./
First release
May 2002
Rev. **A 12/03/03**
Rev. **B/28/11/03**
Rev. **C/19/01/05**

2CDX	70/10-70/12-70/15-70/20-200/30-200/40-200/50	K	CAR/CER/VITON H VERSION CODE NUMB.364500007
	70/10-70/12-70/15-70/20-200/30-200/40-200/50		SIC/SIC/VITON HS VERSION CODE NUMB.364500009
	120/15-120/20-120/30-120/40		CAR/CER/VITON H VERSION CODE NUMB.364500008
	120/15-120/20-120/30-120/40		SIC/SIC/VITON HS VERSION CODE NUMB.364500010

K=kit

(n)= Quantità per pompa / Quantity for pump



Pezzi di ricambio
elettropompe

Spare parts
pumps

2CDXM 1~ 50Hz

Dwg n° 01320

Pos.	Denominazione	Part name	2CDXM/B 120/20				
			1621200000B				
042	PIEDINO	Foot	371415015				
050	DISTANZIALE	Spacer				
052	SCATOLA P/COND.	Terminal box	363200201				
053	COPERCHIO SCATOLA	Terminal cover	363201101				
056	GUARNIZIONE	Box gasket	364700811				
058	PRESSACAVO	Cable entry	363201201				
059	GUARNIZIONE CONICA	Conic gasket	363201301				
072-K	ANELLO RASAMENTO	Casing ring	364500006				
073-K	ANELLO RASAMENTO	Casing ring	364500006				
075	RONDELLA TAPPO	Washer	367667000				
076	RONDELLA TAPPO	Washer	367667000				
077-K	ANELLO OR	"O" ring	364500006				
078-K	ANELLO OR	"O" ring	364500006				
079	DISTANZIALE DIFFUSORE	Spacer diffuser	251434026				
090	GUARNIZIONE	Box gasket	364701520				
092	ANELLO TEN. LATO POMP.	Lip seal	360991522				
093	ANELLO TEN. LATO VENT.	Lip seal	360991529				
102	COPERCHIO DIFF.	Suction cover	251424008				
103	COPERCHIO CONVOGLIAT	Conveyor cover	251402066				
105	DISTANZ.GIRANTE	Sleeve	374434027				
110	MOTOPROTETTORE	Protector	369450506				
200	VITE	Screw	369600023 (8)				
257	FERMACAVO	Wire clamp	366550012				

Data di creaz./
First release
May 2002
Rev. **A12/03/03**
Rev. **B28/04/03**
Rev. **C/28/11/03**

2CDX	70/10-70/12-70/15-70/20-200/30-200/40-200/50	K	CAR/CER/VITON H VERSION CODE NUMB.364500007
	70/10-70/12-70/15-70/20-200/30-200/40-200/50		SIC/SIC/VITON HS VERSION CODE NUMB.364500009
	120/15-120/20-120/30-120/40		CAR/CER/VITON H VERSION CODE NUMB.364500008
	120/15-120/20-120/30-120/40		SIC/SIC/VITON HS VERSION CODE NUMB.364500010

K=kit

(n)= Quantità per pompa / Quantity for pump



4/10

EBARA PUMPS EUROPE S.p.A.

Pezzi di ricambio
elettropompe

Spare parts
pumps

2CDX 3~ 50Hz

Dwg n° 01320

Pos.	Denominazione	Part name	2CDX/A 70/10	2CDX/A 70/12	2CDX/A 70/15	2CDX/A 70/20	2CDX/A 120/15	Data di creaz./ First release	
			1611100004	1611120004	1611150004	1611200004	1621150004		
001	CORPO POMPA	Casing	251420688		251420692		251420694	May 2002	
003	SUPPORTO MOTORE	Motor bracket	240280545		240280563		240280546		
004	DISCO P/TENUTA	Casing cover	251402069		251402065		251402069	Rev. A12/03/03	
006	ALBERO ROTORE	Shaft with rotor	275412189	275412190	275412246	275312232	275412246	Rev. B/28/11/03	
007	GIRANTE	Impeller	251450000		251450721		251450003	Rev. C/19/01/05	
008	GIRANTE	Impeller	251450720		251450721	251450002	251450003		
009	DIFFUSORE	Diffuser	251435024		251435026		251435024		
011-K	TENUTA PARTE FISSA	Mechanical seal fixed	364500006						
011-K	TENUTA PARTE ROTANTE	Mechanical seal rolling	364500006						
012	CASSA	Motor frame	277930180	277930181	277930801	277930220	277930801		
013	COPERCHIO MOTORE	Motor cover	230225071		230225072				
014	VENTOLA	Fan	369950002		369950008				
015	COPRIVENTOLA	Fan cover	362250071		362250080				
016	MORSETTIERA	Terminal box	365940256		365950326				
017	COPRIMORSETTIERA	Terminal box cover	363232010		363232008				
018-K	RONDELLA PARASPRUZZI	Splash ring	364500006						
019	CUSCINETTO	Bearing	360306203		360306204				
020	CUSCINETTO	Bearing	360306202		360306203				
021	ANELLO COMPENSATORE	Adjusting ring	360600035		360600040				
022	TIRANTE	Tie rod	369305135 (4)		369305148 (4)				
024	TAPPO	Priming plug	375192107						
025	TAPPO	Drain plug	375192107						
026-K	ANELLO OR	"O" ring	364500006						
027-K	ANELLO OR	"O" ring	364500006						
032-K	LINGUETTA	Key	364500006						
034-K	DADO GIRANTE	Impeller nut	364500006						

2CDX	70/10-70/12-70/15-70/20-200/30-200/40-200/50	K	CAR/CER/VITON H VERSION CODE NUMB.364500007
	70/10-70/12-70/15-70/20-200/30-200/40-200/50		SIC/SIC/VITON HS VERSION CODE NUMB.364500009
	120/15-120/20-120/30-120/40		CAR/CER/VITON H VERSION CODE NUMB.364500008
	120/15-120/20-120/30-120/40		SIC/SIC/VITON HS VERSION CODE NUMB.364500010

K=kit

(n)= Quantità per pompa / Quantity for pump



EBARA PUMPS EUROPE S.p.A.

5/10

Pezzi di ricambio
elettropompe

Spare parts
pumps

2CDX 3~ 50Hz

Dwg n° 01320

Pos.	Denominazione	Part name	2CDX/A 70/10	2CDX/A 70/12	2CDX/A 70/15	2CDX/A 70/20	2CDX/A 120/15
			1611100004	1611120004	1611150004	1611200004	1621150004
042	PIEDINO	Foot	371415013		371415015		
050	DISTANZIALE	Spacer	371415018	
056	GUARNIZIONE	Box gasket	364700810		364700811		
058	PRESSACAVO	Cable entry					366550010
072-K	ANELLO RASAMENTO	Casing ring					364500006
073-K	ANELLO RASAMENTO	Casing ring					364500006
075	RONDELLA TAPPO	Washer					367667000
076	RONDELLA TAPPO	Washer					367667000
077-K	ANELLO OR	"O" ring					364500006
078-K	ANELLO OR	"O" ring					364500006
079	DISTANZIALE DIFFUSORE	Spacer diffuser	251434026		251434028		251434026
092	ANELLO TEN. LATO POMP	Lip seal					360991522
093	ANELLO TEN. LATO VENT.	Lip seal	360991522		360991529		
102	COPERCHIO DIFF.	Suction cover	251424008		251424012		251424008
103	COPERCHIO CONVOGLIAT	Conveyor cover	251402068		251402089		251402066
105	DISTANZ.GIRANTE	Sleeve					374434027
200	VITE	Screw	369600023 (8)		369641003 (8)		369600023 (8)

Data di creaz./
First release
May 2002
Rev. **A12/03/03**
Rev. **B28/04/03**
Rev. **C/28/11/03**

2CDX	70/10-70/12-70/15-70/20-200/30-200/40-200/50	K	CAR/CER/VITON H VERSION CODE NUMB.364500007
	70/10-70/12-70/15-70/20-200/30-200/40-200/50		SIC/SIC/VITON HS VERSION CODE NUMB.364500009
	120/15-120/20-120/30-120/40		CAR/CER/VITON H VERSION CODE NUMB.364500008
	120/15-120/20-120/30-120/40		SIC/SIC/VITON HS VERSION CODE NUMB.364500010

K=kit

(n)= Quantità per pompa / Quantity for pump



6/10

EBARA PUMPS EUROPE S.p.A.

Pezzi di ricambio
elettropompe

Spare parts
pumps

2CDX 3~ 50Hz

Dwg n° 01320

Pos.	Denominazione	Part name	2CDX/A 120/20	2CDX 120/30	2CDX 120/40	2CDX 200/30	
			1621200004	1989300004	1989400004	1999300004	
001	CORPO POMPA	Casing	251420694	251420696		251420689	
003	SUPPORTO MOTORE	Motor bracket	240280546	240080565		240080564	
004	DISCO P/TENUTA	Casing cover	251402069	251402065		251402069	
006	ALBERO ROTORE	Shaft with rotor	275312232	275312255	275312256	275312257	
007	GIRANTE	Impeller	251450004			251450007	
008	GIRANTE	Impeller	251450003	251450004	251450005	251450006	
009	DIFFUSORE	Diffuser	251435024	251435026		251435024	
011-K	TENUTA PARTE FISSA	Mechanical seal fixed	364500006				
011-K	TENUTA PARTE ROTANTE	Mechanical seal rolling	364500006				
012	CASSA	Motor frame	277930220	277930430	277930425		
013	COPERCHIO MOTORE	Motor cover	230225072	230225504			
014	VENTOLA	Fan	369950008	369950009			
015	COPRIVENTOLA	Fan cover	362250080	362250009			
016	MORSETTIERA	Terminal box	365950326				
017	COPRIMORSETTIERA	Terminal box cover	363232008				
018-K	RONDELLA PARASPRUZZI	Splash ring	364500006				
019	CUSCINETTO	Bearing	360306204	360306305		360306205	
020	CUSCINETTO	Bearing	360306203	360306205			
021	ANELLO COMPENSATORE	Adjusting ring	360600040	360600052			
022	TIRANTE	Tie rod	369305148 (4)	369305165 (4)	369305190 (4)		
024	TAPPO	Priming plug	375192107				
025	TAPPO	Drain plug	375192107				
026-K	ANELLO OR	"O" ring	364500006				
027-K	ANELLO OR	"O" ring	364500006				
032-K	LINGUETTA	Key	364500006				
034-K	DADO GIRANTE	Impeller nut	364500006				

Data di creaz./
First release
May 2002
Rev. **A12/03/03**
Rev. **B/28/11/03**
Rev. **C/19/01/05**

2CDX	70/10-70/12-70/15-70/20-200/30-200/40-200/50	K	CAR/CER/VITON H VERSION CODE NUMB.364500007
	70/10-70/12-70/15-70/20-200/30-200/40-200/50		SIC/SIC/VITON HS VERSION CODE NUMB.364500009
	120/15-120/20-120/30-120/40		CAR/CER/VITON H VERSION CODE NUMB.364500008
	120/15-120/20-120/30-120/40		SIC/SIC/VITON HS VERSION CODE NUMB.364500010

K=kit

(n)= Quantità per pompa / Quantity for pump



7/10

EBARA PUMPS EUROPE S.p.A.

Pezzi di ricambio
elettropompe

Spare parts
pumps

2CDX 3~ 50Hz

Dwg n° 01320

Pos.	Denominazione	Part name	2CDX/A 120/20	2CDX 120/30	2CDX 120/40	2CDX 200/30	
			1621200004	1989300004	1989400004	1999300004	
042	PIEDINO	Foot	371415015	371415013		371415014	
050	DISTANZIALE	Spacer	
056	GUARNIZIONE	Box gasket	364700811				
058	PRESSACAVO	Cable entry	366550010	366550013			
072-K	ANELLO RASAMENTO	Casing ring	364500006				
073-K	ANELLO RASAMENTO	Casing ring	364500006				
075	RONDELLA TAPPO	Washer	367667000				
076	RONDELLA TAPPO	Washer	367667000				
077-K	ANELLO OR	"O" ring	364500006				
078-K	ANELLO OR	"O" ring	364500006				
079	DISTANZIALE DIFFUSORE	Spacer diffuser	251434026	251434028	251434026		
092	ANELLO TEN. LATO POMP	Lip seal	360991522				
093	ANELLO TEN. LATO VENT.	Lip seal	360991529	360991531			
102	COPERCHIO DIFF.	Suction cover	251424008	251424012	251424008		
103	COPERCHIO CONVOGLIAT	Conveyor cover	251402066	251402071	251402066		
105	DISTANZ.GIRANTE	Sleeve	374434027				
200	VITE	Screw	369600023 (8)	369641003	369600023 (8)		

Data di creaz./
First release
May 2002
Rev. **A12/03/03**
Rev. **B28/04/03**
Rev. **C28/11/03**

2CDX	70/10-70/12-70/15-70/20-200/30-200/40-200/50	K	CAR/CER/VITON H VERSION CODE NUMB.364500007
	70/10-70/12-70/15-70/20-200/30-200/40-200/50		SIC/SIC/VITON HS VERSION CODE NUMB.364500009
	120/15-120/20-120/30-120/40		CAR/CER/VITON H VERSION CODE NUMB.364500008
	120/15-120/20-120/30-120/40		SIC/SIC/VITON HS VERSION CODE NUMB.364500010

K=kit

(n)= Quantità per pompa / Quantity for pump



8/10

EBARA PUMPS EUROPE S.p.A.

Pezzi di ricambio
elettropompe

Spare parts
pumps

2CDX 3~ 50Hz

Dwg n° 01320

Pos.	Denominazione	Part name	2CDX 200/40	2CDX 200/50			
			1999400004	1999500004			
001	CORPO POMPA	Casing	251420693				
003	SUPPORTO MOTORE	Motor bracket	240080565	240080566			
004	DISCO P/TENUTA	Casing cover	251402065				
006	ALBERO ROTORE	Shaft with rotor	275312256	275312306			
007	GIRANTE	Impeller	251450007	251450008			
008	GIRANTE	Impeller	251450007				
009	DIFFUSORE	Diffuser	251435026				
011-K	TENUTA PARTE FISSA	Mechanical seal fixed	364500006				
011-K	TENUTA PARTE ROTANTE	Mechanical seal rolling	364500006				
012	CASSA	Motor frame	277930425	277930421			
013	COPERCHIO MOTORE	Motor cover	230225504	230225507			
014	VENTOLA	Fan	369950009	369950004			
015	COPRIVENTOLA	Fan cover	362250009	362250100			
016	MORSETTIERA	Terminal box	365950326	365956366			
017	COPRIMORSETTIERA	Terminal box cover	363232008				
018-K	RONDELLA PARASPRUZZI	Splash ring	364500006				
019	CUSCINETTO	Bearing	360306305	360306206			
020	CUSCINETTO	Bearing	360306205				
021	ANELLO COMPENSATORE	Adjusting ring	360600052				
022	TIRANTE	Tie rod	369305190 (4)	369306200 (4)			
024	TAPPO	Priming plug	375192107				
025	TAPPO	Drain plug	375192107				
026-K	ANELLO OR	"O" ring	364500006				
027-K	ANELLO OR	"O" ring	364500006				
032-K	LINGUETTA	Key	364500006				
034-K	DADO GIRANTE	Impeller nut	364500006				

Data di creaz./
First release
May 2002
Rev. **A12/03/03**
Rev. **B28/11/03**
Rev. **C19/01/05**

2CDX	70/10-70/12-70/15-70/20-200/30-200/40-200/50	K	CAR/CER/VITON H VERSION CODE NUMB.364500007
	70/10-70/12-70/15-70/20-200/30-200/40-200/50		SIC/SIC/VITON HS VERSION CODE NUMB.364500009
	120/15-120/20-120/30-120/40		CAR/CER/VITON H VERSION CODE NUMB.364500008
	120/15-120/20-120/30-120/40		SIC/SIC/VITON HS VERSION CODE NUMB.364500010

K=kit

(n)= Quantità per pompa / Quantity for pump



EBARA PUMPS EUROPE S.p.A.

9/10

Pezzi di ricambio
elettropompe

Spare parts
pumps

2CDX 3~ 50Hz

Dwg n° 01320

Pos.	Denominazione	Part name	2CDX 200/40	2CDX 200/50			
			1999400004	1999500004			
042	PIEDINO	Foot	371415013	371415014			
050	DISTANZIALE	Spacer			
056	GUARNIZIONE	Box gasket	364700811				
058	PRESSACAVO	Cable entry	366550013	366550014			
072-K	ANELLO RASAMENTO	Casing ring	364500006				
073-K	ANELLO RASAMENTO	Casing ring	364500006				
075	RONDELLA TAPPO	Washer	367667000				
076	RONDELLA TAPPO	Washer	367667000				
077-K	ANELLO OR	"O" ring	364500006				
078-K	ANELLO OR	"O" ring	364500006				
079	DISTANZIALE DIFFUSORE	Spacer diffuser	251434028				
092	ANELLO TEN. LATO POMP	Lip seal	360991522				
093	ANELLO TEN. LATO VENT.	Lip seal	360991531				
102	COPERCHIO DIFF.	Suction cover	251424012				
103	COPERCHIO CONVOGLIAT	Conveyor cover	251402071				
105	DISTANZ.GIRANTE	Sleeve	374434027				
200	VITE	Screw	369641003 (8)				

Data di creaz./
First release
May 2002
Rev. **A12/03/03**
Rev. **B28/04/03**
Rev. **C28/11/03**

2CDX	70/10-70/12-70/15-70/20-200/30-200/40-200/50	K	CAR/CER/VITON H VERSION CODE NUMB.364500007
	70/10-70/12-70/15-70/20-200/30-200/40-200/50		SIC/SIC/VITON HS VERSION CODE NUMB.364500009
	120/15-120/20-120/30-120/40		CAR/CER/VITON H VERSION CODE NUMB.364500008
	120/15-120/20-120/30-120/40		SIC/SIC/VITON HS VERSION CODE NUMB.364500010

K=kit

(n)= Quantità per pompa / Quantity for pump



10/10

EBARA PUMPS EUROPE S.p.A.